

Small & Constant Exhaust Grilles

Adjustable core grilles



SR143 - Steel



SR 149 - Plastic

Advantages

- Adjustable.
- Connection sleeve supplied.

APPLICATION

- Air exhaust for all ventilation applications in small commercial premises.
- For wall or ceiling mounting.

DESCRIPTION

- Adjustable core.
- SR 143: white epoxy painted steel RAL 9010.
- SR 149: white polypropylene.
- BHP: white PVC.
- Fitted by clipping into the duct.

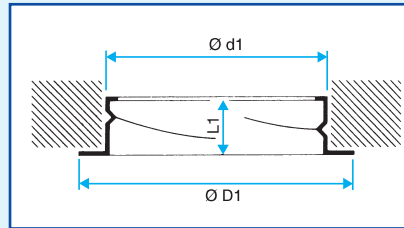
ACCESSORY

- Connection sleeve supplied.

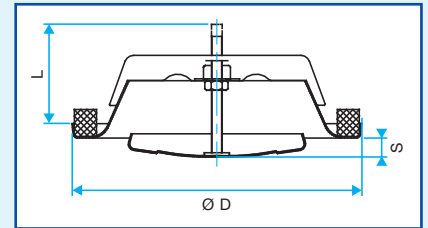
ADDITIONAL RANGE

- Air supply version.
- Paint finish in accordance with the RAL colour chart.

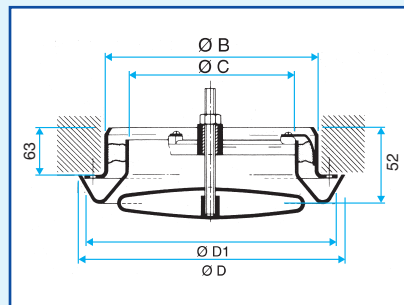
DIMENSIONS



SR 143 sleeve alone



SR143 grille alone



SR 149 grille with sleeve

Comfort airflow levels for Lw < NR 30 and dimensions						
Model	SR 143					
Dimensions (mm)	ØD (mm)	Ø D1 (mm)	Ø d1 (mm)	L (mm)	L1 (mm)	Airflow (m³/h)
Ø 100	137	130	100	47	50	80
Ø 125	161	155	125	49	50	100
Ø 160	218	190	160	60	50	150
Ø 200	248	236	200	75	50	190
Model	SR 149					
Dimensions (mm)	Ø B (mm)	Ø C (mm)	ØD (mm)	Ø D1 (mm)	-	Airflow (m³/h)
Ø 100	100	80	150	122	-	80
Ø 125	125	100	170	155	-	100
Ø 150	150	120	190	168	-	150
Ø 200	200	170	240	220	-	190

RANGE R10

Dimensions	SR 143 Code	SR 149 Code
Ø 100	11052226	11001996
Ø 125	11052227	11001997
Ø 150		11001998
Ø 160	11052228	
Ø 200	11052229	11001999