

Non Return Dampers/Pressure Relief Dampers

Non return / pressure relief dampers



SG 661
Non return damper
(duct mounted)



SG 663
Non return damper
(wall mounted)



SG 662
Pressure relief damper
(wall mounted)

Advantages

- NRD prevents reverse airflow.
- PRD releases excess pressure inside pressure controlled rooms.
- Protection against ingress of untempered air, rain and birds into air conditioning system.

DESCRIPTION

- Non return/pressure relief dampers are designed for use in intake and discharge opening in commercial and residential air conditioning systems.
- When the ventilation system is on, the blades of the non-return damper are held in the open position by the airflow.
- If the system is switched off, the damper blades close automatically, thus preventing reverse airflow and giving protection against the ingress of untempered air, rain and birds into the air conditioning system.

CONSTRUCTION

SG 661

- Non return damper designed to be duct mounted.
- Frame & blades made from 20 ga. galvanized steel.
- Round spindles Ø 12 mm linked together by means of GI linkages.
- Gasket is provided on blade tips for low leakage.

AG 661

- Same as SU 661.
- Frame and blades manufactured from mill finish aluminium.

EG 661

- Same as SU 661.
- Only frame and blades manufactured from SS (grade 304).

SG 663

- Non return damper.
- Wall mounted.
- Frame and blades manufactured from 20 ga. galvanized steel. Other gauges available upon request. Blades are fixed on Ø 12 mm round spindle and are linked together by GI linkages.

AG 663

- Same as SG 663.
- Only frame and blades manufactured from mill finish aluminium.

EG 663

- Same as SG 663.
- Only frame and blades manufactured from mill finish SS (grade 304).

SG 662

- Pressure relief damper.
- Wall mounted.
- Casing manufactured from 18 ga.
- Blades manufactured from 20 ga. galvanized steel sheet.

AG 662

- Same as SG 662.
- Only frame and blades manufactured from mill finish aluminium.

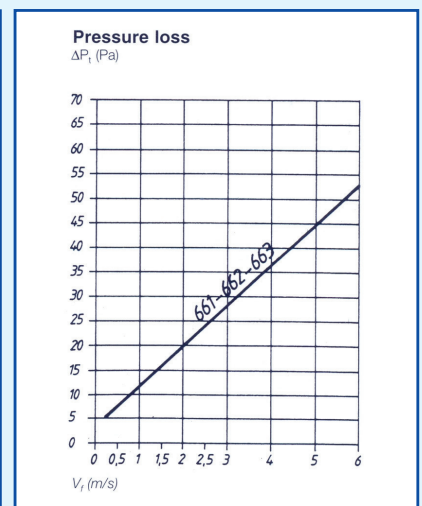
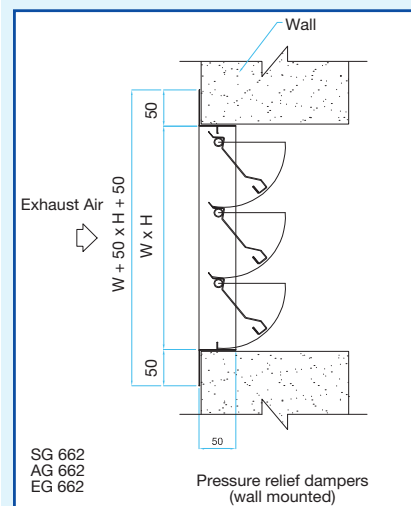
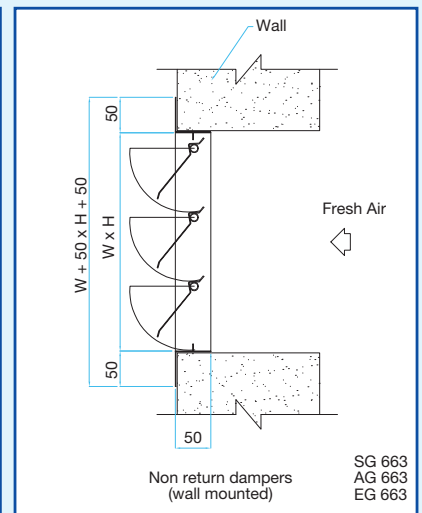
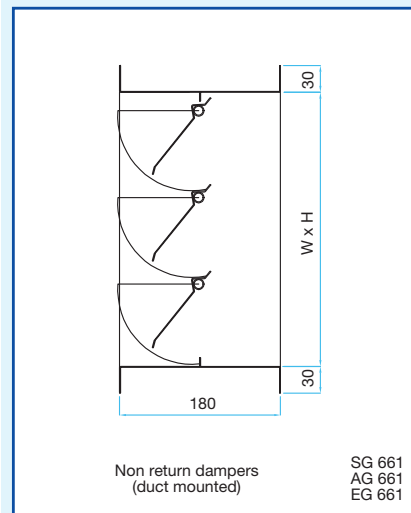
EG 662

- Same as SG 662.
- Only frame and blades manufactured from SS (grade 304).

AVAILABLE OPTIONS

- Belimo actuator, code M.
- Brass / PVC bushes, code B1/B2.
- Counter weight, code K.
- Natural anodized aluminium, code A.
- Power coated to RAL colour, code Z.

DIMENSIONS (mm) - PRESSURE DROP



RANGE

Type	Description	Code
SG 661	Duct mounted NRD, casing and blades made from GI	
AG 661	Duct mounted NRD, casing and blades made from aluminium	
EG 661	Duct mounted NRD, casing and blades made from SS (grade 304)	
SG 663	Wall mounted NRD, casing and blades made from GI	
AG 663	Wall mounted NRD, casing and blades made from aluminium	
EG 663	Wall mounted NRD, casing and blades made from SS (grade 304)	
SG 662	Wall mounted PRD, casing and blades made from GI	
AG 662	Wall mounted PRD, casing and blades made from aluminium	
EG 662	Wall mounted PRD, casing and blades made from SS (grade 304)	