

Swirl Diffusers

Adjustable square swirl diffusers with helical air pattern



SF 773 series - Steel

Advantages

- Adjustable air diffusion.
- Ideally suited for installations requiring a high-volume air displacement.

APPLICATION

- Air supply; adjustable diffusion.
- Heating ($\Delta T_{\max} = -30^{\circ}\text{C}$) and air conditioning ($\Delta T_{\max} = -16^{\circ}\text{C}$) installations with adjustable, important airflow rates.
- Very high levels of air circulation.
- Ceiling mounted.

DESCRIPTION

- Flush mounted square ceiling diffuser designed specifically for T-bar lay-in application (tile replacement) for standard modular ceiling grid sizes, also available for surface mounted applications.
- Creative helical airstream discharge of supply air resulting in a high induction ratio and a rapid consolidation of supply air and room air temperature. Ability to handle high air change rates with draught free mixing.
- Galvanised mild steel pressed fascia having transverse supply apertures. Located within the supply apertures are acute angled deflectorals, adjustable for directional flow and painted stove enamelled black.

ACCESSORIES

- Connection arrangements for plenum boxes, manufactured from galvanised mild steel and available in 4 options as indicated below:
 - ST: top entry inlet spigot complete with perforated equalising grid and air deflectors (SF 773 ST).
 - RT: top entry inlet spigot without perforated equalising grid and air deflectors for return air application (SF 771 RT).
 - RS: side entry inlet spigot complete with perforated equalising grid and air deflectors (SF 773 RS).
 - RE: side entry inlet spigot without perforated equalising grid and air deflectors for return air application (SF 771 RE).

ADDITIONAL RANGE

- Version without plenum.
- Paint finish in accordance with the RAL colour chart.
- Damper with control dial, supplied with the diffuser (delivered already fitted to the plenum connection).
- Lever operated quadrant damper located in the plenum inlet spigot, code Q.

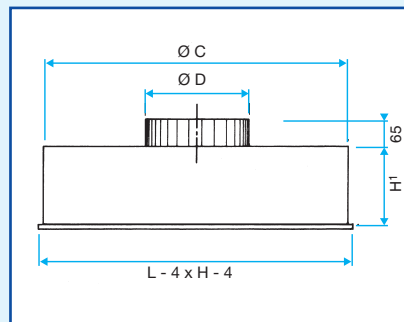
RANGE with choice of options

Description	Code
SF 773 - 400 x 400 mm (option: 44.4)	
SF 773 - 500 x 500 mm (option: 55.4, 55.5)	
SF 773 - 600 x 600 mm (option: 66.4, 66.5, 66.6)	
SF 773 - 625 x 625 mm (option: 662.4, 662.5, 662.6)	

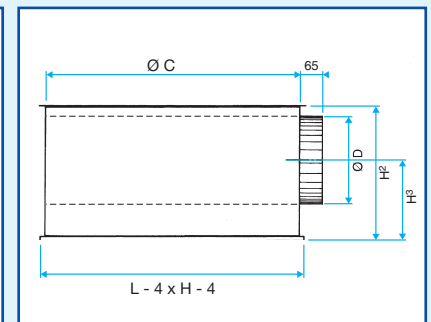
DIMENSIONS (mm)



SF 773 diffuser



ST and RT type



RS and RE type

L X H	Option	Ø C	Ø D	H1	H2	H3
400 x 400	44.4	360	198	200	300	175
500 x 500	55.4	460	198	200	300	175
500 x 500	55.5	460	198	200	300	175
600 x 600	66.4	545	198	200	300	175
600 x 600	66.5	545	198	200	300	175
600 x 600	66.6	545	248	250	350	200
625 x 625	662.4	545	198	200	300	175
625 x 625	662.5	545	198	200	300	175
625 x 625	662.6	545	248	250	350	200

L X H	ØW		
	340	440	540
400 x 400	44.4	-	-
500 x 500	55.4	55.5	-
600 x 600	66.4	66.5	66.6
625 x 625	662.4	662.5	662.6