

Special Diffusers

Adjustable diffusers with rotating nozzles



SC 984 diffuser - Steel



Plenum LREI (5)

Advantages

- Aesthetic design.
- Ideally suited for installations requiring a high-volume air displacement.
- Adjustable diffusion.
- Version adapted to 600 x 600 mm ceiling tiles.
- Easy installation.

APPLICATION

- Air supply: adjustable diffusion.
- Heating and air-conditioning installations.
- Very high levels of air circulation.
- Ceiling mounted.

DESCRIPTION

- Front face in steel plate with RAL9010 tint.
- White plastic rotating nozzles.
- Invisible fixing, using a screw in the neck of the diffuser.
- "T" models adapted to 600 x 600 mm suspended ceiling tiles of

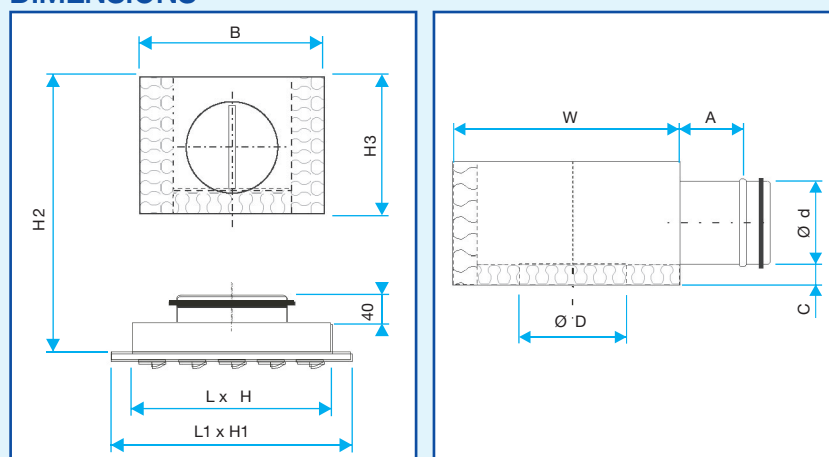
ACCESSORIES

- LREI (5) plenum insulated on 5 sides (side connection).
- Damper with control dial delivered fitted to the plenum connection (supplied as standard).

ADDITIONAL RANGE

- Paint finish in accordance with the RAL colour chart (please, consult us).

DIMENSIONS



SC 984 diffuser with plenum

LREI (5) plenum

Comfort airflow levels for Lw < NR 35 and dimensions										
Ø D (mm)	L x H (mm)	L1 x H1 (mm)	Ø d (mm)	H2 (mm)	H3 (mm)	B (mm)	W (mm)	A (mm)	C (mm)	Airflow (m³/h)
125	333	389	100	185	155	250	320	81	30	130
125	333	595*	100	185	155	250	320	81	30	130
160	333	389	125	210	180	300	380	91	40	210
160	333	595*	125	210	180	300	380	91	40	210
200	415	472	160	260	215	370	440	103	35	300
200	415	595*	160	260	215	370	440	103	35	300
250	554	595	200	315	255	465	520	123	30	480
315	554	595	250	360	300	550	580	144	25	600

* Models adapted to 600 x 600 mm suspended ceiling tiles.

RANGE R10

Dimensions	600x600 mm diffuser SC 984T Code	Diffuser SC 984 Code	Insulated plenum LREI (5) Code
Ø 125	11051301	11051291	11053361
Ø 160	11051302	11051292	11053362
Ø 200	11051303	11051293	11053363
Ø 250	11051304		11053364
Ø 315	11051305		11053365