

Ceiling Diffusers

Adjustable square diffusers for ceiling tiles



SC 360 R - Steel
SC 369 series



SC 360 R - Rear

Advantages

- Designed for 600 x 600 mm suspended ceiling tiles.
- Circular connection to gain installation time.
- Diffusion 1, 2, 3 or 4 ways adjustable on-site.
- Filtration for air return.

APPLICATION

- Ceiling mounted diffuser designed to replace a 600 x 600 mm suspended ceiling tile (T-shaped framework).
- Air supply (SC 360 R model) or air exhaust (SC 369 R model).
- Adjustable diffusion in one to four directions by means of individually adjustable deflectors.
- Heating ($\Delta T_{max} = + 30^{\circ} C$) and air-conditioning ($\Delta T_{max} = - 16^{\circ} C$) installations where airflow levels are large and modulated.
- Possible exhaust filtration.

DESCRIPTION

- Removable perforated sheet metal.
- Based on the design of a SC 310 R or SC 319 R diffuser as standard, integrated into a steel compensation plate.
- Finish - white epoxy painted steel RAL 9010 tint.
- Fixing to the concealed concrete tile using lugs mounted on the diffuser (F16 fixing).

NOTE: the diffuser weight must not be borne by the frame of the suspended ceiling. Use the suspension cables.

- Direct connection to circular ducts.
- Thermally insulated version to avoid any risk of condensation under air conditioning.

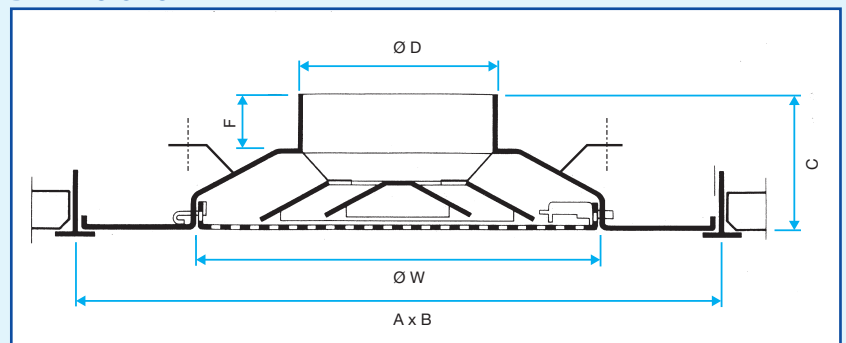
ACCESSORIES

- Dampers and plenums used for standard diffusers.
- W flat filter, attached to the T-stop ring M1 fire rating, G3, for exhaust diffusers SC 369 R.

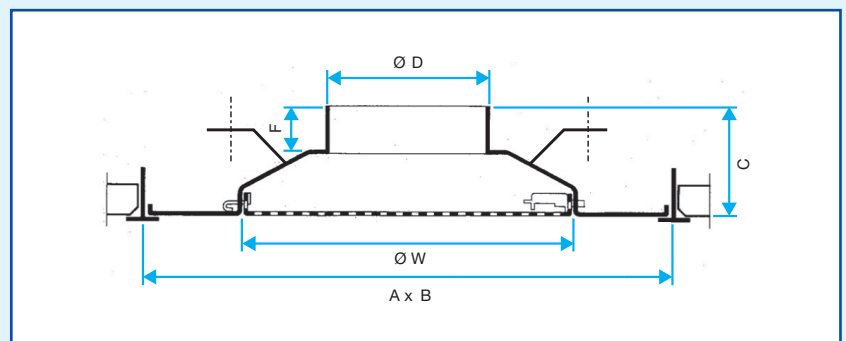
ADDITIONAL RANGE

- Models adapted to 675 x 675 mm suspended ceilings or with Fine-line frameworks (please, consult us).
- Paint finish in accordance with the RAL colour chart (please, consult us).
- SC 350 R range with the compensation plate completely perforated for a different aesthetic design (please, consult us).

DIMENSIONS



SC 360 R air supply diffuser



SC 369 R air exhaust diffuser

Comfort airflow levels for $L_w < NR 30$ and dimensions

Ø D (mm)	A x B* (mm)	W (mm)	C (mm)	F (mm)	Air supply airflow (m ³ /h)	Air exhaust airflow with filter (m ³ /h)
160	600 x 600	280	98	55	250	250
200	600 x 600	380	108	60	400	450
250	600 x 600	480	122	60	600	650
315*	600 x 600	542	135	60	900	900

* Nominal ceiling tile dimensions.

- See selection table on page 286.

RANGE R10

Dimensions	Air supply diffuser SC 360 R F16 Code	Damper BR Code	Exhaust diffuser SC 369 R F16 Code	Insulated air supply diffuser SC360 RIF (5) F16 Code	Spare filter W Code
Ø 160	11051145	11053220	11051135		
Ø 200	11051146	11053221	11051136	11051159	11053519
Ø 250	11051147	11053222	11051137	11051160	11053520
Ø 315		11053223			11053521

Selection Tables



Series SC 360 R - SC 310 R

Air supply in 4 directions with ceiling effect

Ak (m ²)	L x H (mm)	Ø D (mm)	qv (m ³ /hr)												1000							
			125		150		200		250		300		400		600		800		Lw	Lt		
0.018	300 x 300	160	-	0.8	-	1.0	21	1.3	28	1.7	34	2.0							Lw	Lt		
			1.9	3.2	2.3	4.6	3.1	8.1	3.9	13	4.6	18							Vk	Pa		
0.034	400 x 400	200					-	1.0	-	1.2	19	1.5	27	2.0								
							1.6	2.7	2.0	4.3	2.5	6.2	3.3	11								
0.056	500 x 500	250									-	1.2	-	1.5	27	2.3	37	3.8				
											1.5	2.3	2.0	4.0	3.0	9.1	4.0	16				
0.080	562 x 562	315	Lw	Lt											-	1.3	16	1.9	25	2.5	32	3.2
			Vk	Pa											1.4	1.7	2.1	3.9	2.8	6.9	3.5	11

The values Lw (NR) do not take the attenuation in the premises into account.

Speed = 0.5 m/s.

Corrections for other terminal velocities

Vt (m/s)	0.25	0.37	0.5	0.63	0.75
Lt	x 1.63	x 1.33	x 1	x 0.8	x 0.67

n