

# Small & Constant Exhaust Grilles

## Small fixed metal grilles



BIM 400



BEM 780

### Advantages

- Aesthetic design.
- Available in white painted RAL 9010 tint or anodised aluminium.
- Easy installation.
- Also comes in Ø 200 mm.

### APPLICATION

- Air supply and air exhaust for all air exhaust or heat recovery ventilation applications in small commercial premises.
- BIM 400: air exhaust. Wall or ceiling mounting. Wall mounting only for air supply.
- BEM 780: air exhaust applications only. Wall or ceiling mounting.

### DESCRIPTION

- Pressed aluminium frame.
- BIM 400: core made of extruded aluminium bars, inclined at 15°.
- BEM 780: core made of a 12.5 x 12.5 mesh.
- Anodised aluminium, natural gloss tint or epoxy white painted aluminium - RAL 9010.
- Wall fixing by slotting into the duct (can be screwed in if required) or into the ceiling by the use of fixing lugs supplied as accessories.

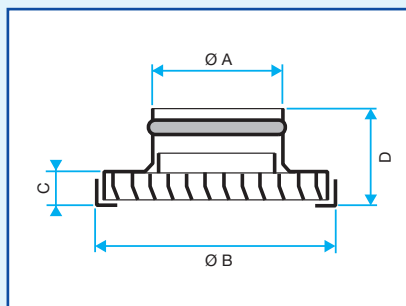
### ACCESSORY

- Mounting claws.

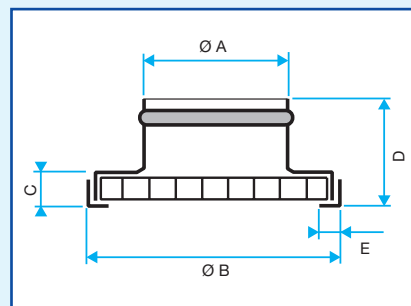
### ADDITIONAL RANGE

- Paint finish in accordance with the RAL colour chart (please, consult us).

### DIMENSIONS



BIM 400 grille



BEM 780 grille

#### Comfort airflow levels for Lw < NR 30 and dimensions

Model	Ø N (mm)	Ø A (mm)	Ø B (mm)	C (mm)	D (mm)	E (mm)	Airflow (m³/h)
BIM 400	100	98	160	20	55	15	75
BIM 400	125	123	160	20	55	15	120
BIM 400	160	158	200	20	55	15	170
BIM 400	200	198	248	20	55	15	250
BEM 780	100	98	160	14	55	15	80
BEM 780	125	123	160	14	55	15	160
BEM 780	160	158	200	14	55	15	250
BEM 780	200	198	248	14	55	15	380

### RANGE R10

Dimensions	BIM 400 anodised Code	BIM 400 white Code	BIM 780 anodised Code	BIM 780 white grille Code
Ø 100	11052211	11052208	11052201	11052245
Ø 125	11052212	11052209	11052202	11052246
Ø 160	11052213	11052210	11052203	11052247
Ø 200	11052214	11052215	11052249	11052248

### ACCESSORIES R10

Dimensions	Fixing lugs for BEM and BIM Code
Ø 100 - Ø 125 - Ø 160	11053493