

Small & Constant Exhaust Grilles

Small fixed metal grilles



BIM 300



BIM 320

Advantages

- Aesthetic design.
- Available in white painted RAL 9010 tint or anodised aluminium.
- Easy installation.

APPLICATION

- Air supply and air exhaust for all ventilation applications in air exhaust or heat recovery ventilation, for small commercial premises.
- BIM 300: exhaust air. Wall or ceiling mounting. Ceiling mounting only for air supply.
- BIM 320: ceiling mounting.

DESCRIPTION

- Central core in extruded aluminium sections, inclined at 0° for BIM 300 and at 90° for BIM 320.
- Detachable cheek system to modify the terminal's airtthrow.
- Framing in M1 polycarbonate.
- Anodised aluminium, natural gloss tint or epoxy white painted aluminium - RAL 9010.
- Wall fixing by slotting into the duct (can be screwed in if required) or into the ceiling by the use of fixing lugs supplied as accessories.

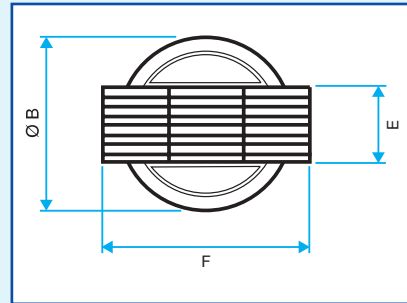
ACCESSORY

- Mounting lugs.

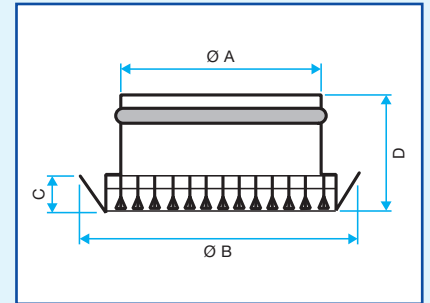
ADDITIONAL RANGE

- Paint finish in accordance with the RAL colour chart (please, consult us).

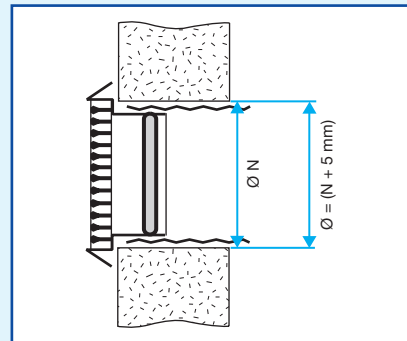
DIMENSIONS



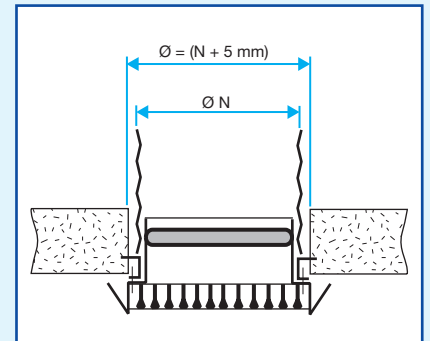
BIM 300 & BIM 320 grilles



BIM 300 & BIM 320 grilles



Wall mounting



Ceiling mounting (use the mounting lugs)

Comfort airflow levels for Lw < NR 30 and dimensions							
Ø N (mm)	Ø A (mm)	Ø B (mm)	C (mm)	D (mm)	E (mm)	F (mm)	Airflow (m³/h)
100	99	151	28	73	68	172	80
125	124	172	28	78	82	194	100
160	159	213	28	93	105	247	150

RANGE R10

Dimensions	BIM 300 anodised Code	BIM 300 white Code	BIM 320 anodised Code	BIM 320 white Code
Ø 100	11052216	11052231	11052221	11052236
Ø 125	11052217	11052232	11052222	11052237
Ø 160	11052218	11052233	11052223	11052238

ACCESSORIES R10

Dimensions	Fixing lugs for BEM and BIM Code
Ø 100 - Ø 125 - Ø 160	11053493