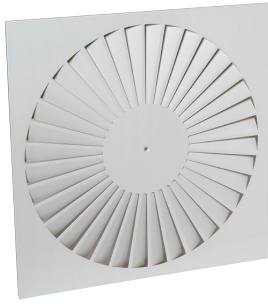


# Swirl Diffusers

## Fixed square swirl diffusers

**New**



SF 786 series - Steel

### Advantages

- Easy installation.
- Ideally suited for installations requiring a high-volume air displacement.

### APPLICATION

- Air supply fixed diffusion pattern.
- Heating and air-conditioning installations where the airflows are high and modulated.
- Very high levels of air circulation.
- Ceiling mounted.

### DESCRIPTION

- Finish - white epoxy painted steel RAL 9010 tint.
- Fixing (F7) by means of a central screw under the plenum. This fixing is well adapted to staff or BA13 non removable fixed ceilings.
- Finish - white epoxy painted steel RAL 9010 tint.
- Front face adjustable blades in black polypropylene.
- Fixing to the plenum by means of a central screw (F7). This fixing is well adapted to staff or BA13 non removable fixed ceilings.
- Fixing to all of the concrete tile using the lugs located on the connecting plenum. Use the suspension cables.

### ACCESSORIES

- RE connecting plenum (side connection).

NOTE: the plenums are fitted, as standard, with an airflow diffuser.

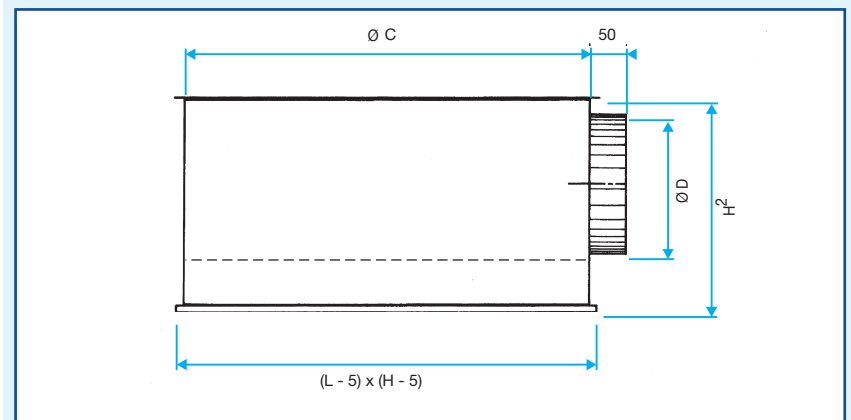
### ADDITIONAL RANGE

- Paint finish in accordance with the RAL colour chart (please, consult us).
- Insulated plenum (please, consult us).
- Top connection plenum (please, consult us).

### RANGE R10

Dimensions	Diffuser SF 786 F7 Code	Plenum RE Code
600 x 600	11051133	11002950

### DIMENSIONS



SF 786 diffuser with RE plenum

#### Comfort airflow levels for Lw < NR 30 and dimensions

L x H (mm)	Ø C (mm)	Ø D (mm)	H2 (mm)	Airflow (m <sup>3</sup> /h)
600 x 600	560	250	340	550

- Dimension adapted to standard 600 x 600 mm ceiling tiles.
- See selection table on page 281.

# Selection Tables



## SF 786 Series

Air supply with ceiling effect

Ak (m <sup>2</sup> )	Length L x H / W	qv (m <sup>3</sup> /hr)																800	
		100		150		250		350		500		600		700		Lw	Lt		
0.0165	400 x 400 345	-	1	20	1.4	31	2.4	39	3.3									Lw	Lt
		1.7	2.5	2.5	6	4.0	15	5.9	35									Vk	Pa
0.0340	500 x 500 445			-	1.1	-	1.7	25	2.4	33	3.3	38	4						
				1.2	1.3	2.0	4	2.9	8	4.1	16	5	25						
0.0420	600 x 600 525					-	1.4	20	2.2	28	3.0	33	3.6	37	4.1				
						1.5	2	2.3	5	3.3	10	4.0	15	4.6	21				
0.0760	825 x 825 725	Lw	Lt			-	1.4	-	2.1	27	2.9	32	3.5	36	4.0	39	4.6		
		Vk	Pa			1.5	2	2.2	4.6	3.0	9	3.7	14	4.3	18	5.0	25		

The values Lw (NR) do not take the attenuation in the premises into account.

Speed = 0.25 m/s.

Corrections for other terminal velocities

Vt (m/s)	0.25	0.37	0.5
Lt	x 1	x 0.87	x 0.65