

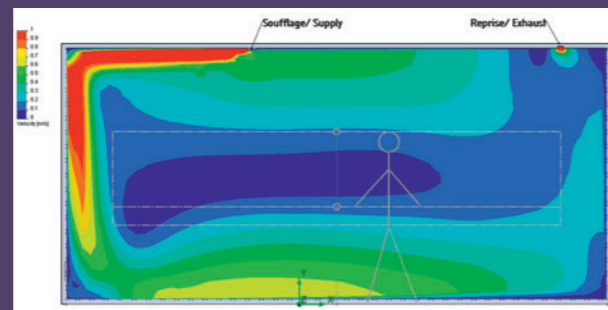
## ***Aldes, a complete product and service range for air diffusion.***

**Discover a range of models that meet your aeraulic, acoustic and aesthetic requirements:**



Aldes is involved in design and production, and has a variety of technical and commercial resources to offer attractive air diffusion solutions that provide aeraulic and acoustic quality.

- Air diffusion test and digital simulation laboratory.
- Research and Development Department.
- Personalised designs and products.
- A network of specialists near you, with over 1200 employees worldwide.



Digital 3D simulation of slot diffusers

VC 100718 - Hauteville - RCS Lyon 956 506 828 - Copyright : Sylvain Vessière - 3D Sysson

# DIFFUSERS **TWISTED**

*when performance becomes design*



...when performance becomes design

**Twisted, the range of Aldes high induction swirl diffusers for unequalled comfort and perfect integration.**

Aldes, recognised manufacturer of solutions for improving interior air quality and comfort in commercial premises, presents:

**Twisted, a range of air diffusers for a new level of comfort.**

Wholly developed by Aldes, this range dedicated to air conditioning of commercial premises benefits from a sober and discrete design, while ensuring **an exceptional quality of diffusion.**



...a solution adapted to all commercial premises



Schools



Hotels



Small commercial premises



Shops



Restaurants

The Twisted range of diffusers is adapted to small and medium sized commercial premises such as restaurants, offices, hotels, banks, small shops, nurseries, retirement homes, show-rooms, open-spaces...

# DIFFUSERS **TWISTED**, comfort guaranteed in all circumstances

## Aldes proposes Twisted, a range of high induction swirl diffusers.

A solution combining design and a patented system of efficient diffusion.

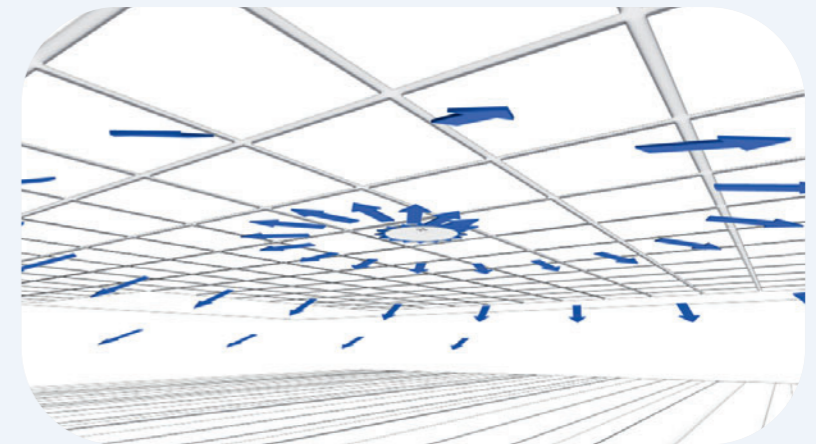
Dedicated to air conditioning, the Twisted diffusers are equipped with a **patented system of swirl diffusion** that provides added mixing capacity.

Through its design, the Twisted can maintain the quality of the air diffusion over a wide range of airflow.

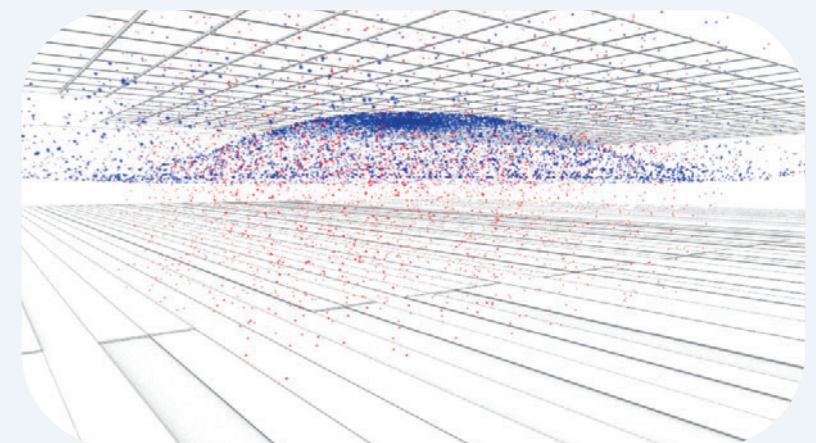
Whether in high or low speed, the Twisted diffusers keep the capacity to mix the intake air with the room air ambient for greater temperature consistency and therefore **optimum comfort**.

They are effective when heating and cooling and both accept high mixing rates and temperature variations over 15°C.

The Twisted is a **simple and efficient** alternative to most of the diffusers on the market.



Setting in rotation of air jet



Homogeneous temperature in the room

# DIFFUSERS TWISTED

...the range

Twisted 850, 100% Aldes design and technology, is the first of a new generation of diffusers to ensure occupant comfort.

## Advantages :

- Comfort**
  - Excellent mixing rate.
  - Room temperature consistency.
- Attractive**
  - Perfect integration in commercial premises.
  - Sober and discreet design.
  - Identical air supply and exhaust diffusers
- Simplicity**
  - A single model for a wide range of airflows
  - Accepts high temperature variations.
  - Ideal for variable flow systems.
- Ease**
  - Installed in place of a standard 600 x 600 or 675 x 675 mm ceiling tile.
  - Integrated connection plenum.
  - Practical and ingenious filter access system on the air exhaust diffuser.



## The range :

Dimensions	Air supply diffuser Twisted 850 600 x 600 mm	Opening air exhaust diffuser with filter Twisted 850 W 600 x 600 mm	Air supply diffuser Twisted 850 675 x 675 mm	Opening air supply diffuser with filter Twisted 850 W 675 x 675 mm
Ø 200	•	•	•	•

## Options

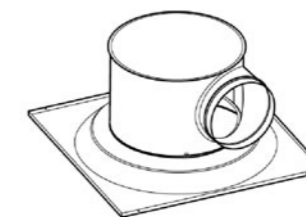
Option	Option
For typical Tbar or Fine line type ceilings	Acoustic insulation
Epoxy paint based on RAL	Thermal insulation

## Dimensions

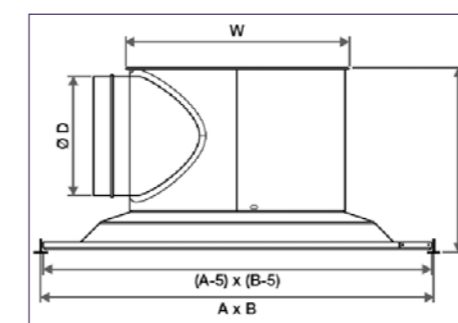
Comfort ranges for LW < NR 35 et dimensions				
AxB (mm)	Ø W (mm)	Ø D (mm)	P (mm)	Flow rate (m³/h)
600 x 600	250	200	300	150 - 600
675 x 675	250	200	300	150 - 600



Integrated connection plenum



Twisted 850  
top view



Dimensions



Installed like standard ceiling tiles

## Attractive, easy to install and multi-functional...

### Twisted diffusers guarantee the ceiling stays attractive.

- A single size to cover a wide range of airflows.
- Adapted to variable airflow installations.
- An air exhaust diffuser model, identical to the air supply model, providing both filtering and easy access to the filter.

Twisted 850 diffusers are installed in place of standard 600 x 600 mm or 675 x 675 mm ceiling tiles.

The integrated connecting plenum guarantees the aeraulic characteristics, despite a reduced size adapted to modern suspended ceilings (overall depth of 300 mm).