

Exhaust ventilation for single-family dwelling

IN LINE XS



PRODUCT ADVANTAGES

- Compact.
- Easy to install and maintain thanks to the removable motor unit.
- Reduced sound power level starting at 27 dB(A) (Lp at 3 m).

COMPLIANCE

- CE electrical safety.
- ERP 2015 327/2011/EC.
- GS electrical safety.
- WEEE recycling compliant.

RANGE

Designation	Reference
IN LINE XS 100	11022330
IN LINE XS 125	11022331
IN LINE XS 150	11022332
IN LINE XS 160	11022333

PRINCIPLE OF OPERATION

- Single or dual-speed connection.
- Controlled via an inverter or a voltage regulator.

DESCRIPTION

- Duct fan.
- Material: ABS.
- Single-phase 2-speed motor.
- Removable motor unit.

FIELD OF APPLICATION

- Ventilation for one or multiple rooms.
- Used for air exhaust or air supply.
- Can be installed at any point in the ductwork.
- Housing (sanitary areas, kitchen, laundry room, cellar, etc.) and small commercial premises.

INSTALLATION

- Connection to a duct upstream and downstream.
- Can be fitted in any position.
- Fastened to a wall using the mounting plate.
- Can be fitted in series for greater pressure or in parallel for higher airflow.
- Air inlet grilles or door undercuts are necessary to ensure the equipment operates correctly.

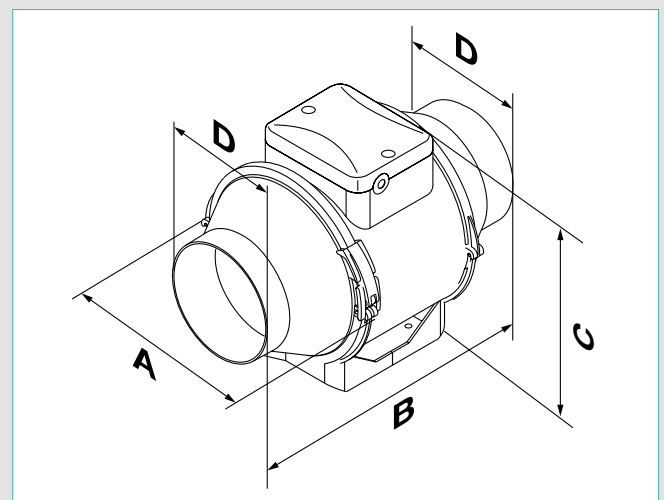
ACCESSORIES

The IN LINE XS duct fans can operate with a 1-speed or 2-speed connection. The 2-speed connection is controlled via an inverter or a voltage regulator.

Designation	Reference
2-position inverter	11022030
1.5 A voltage regulator	11022358



DIMENSIONS (mm) - WEIGHT



Model	D	A	B	C	Weight (kg)
IN LINE XS 100	100	167	246	190	01:45
IN LINE XS 125	125	167	246	190	01:35
IN LINE XS 150	150	223	295	250	2.65
IN LINE XS 160	160	233	295	250	2.65

TECHNICAL DETAILS

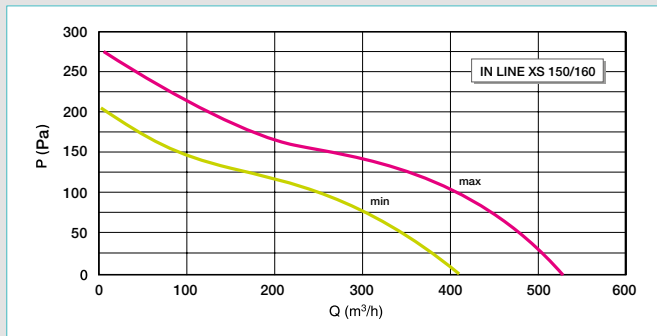
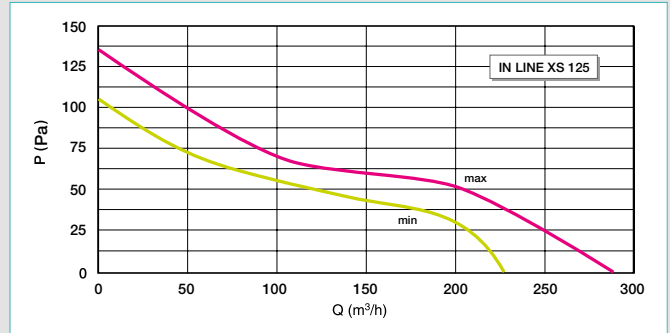
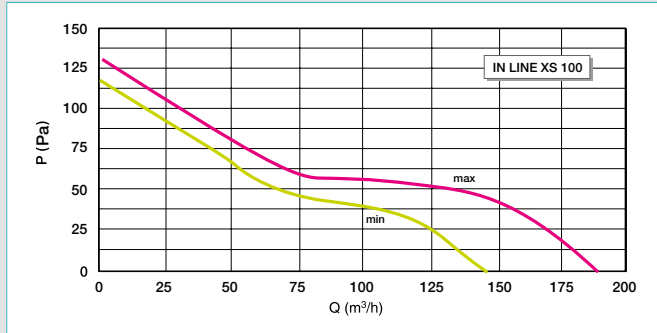
- Power Supply: 220/240 V - 50/60 Hz.
- Device protection rating: IPX4.
- Built-in thermal protection.
- Motor mounted on ball bearings.
- Long service life: 40,000 hours.

Model	Airflow (m ³ /h)		Power consumption (W)		RPM		Lp at 3 m (dB(A))		Lw (dB(A))
	min	max	min	max	min	max	min	max	
IN LINE XS 100	145	190	21	33	2180	2385	27	36	41
IN LINE XS 125	220	280	23	37	1950	2455	28	37	43
IN LINE XS 150	405	520	30	60	1680	2460	33	44	53
IN LINE XS 160	405	520	30	60	1680	2460	33	44	53

Exhaust ventilation for single-family dwelling

IN LINE XS

AIRFLOW DETAILS



Exhaust ventilation for single-family dwelling

IN LINE XPro



PRODUCT ADVANTAGES

- Compact.
- High-performance, energy-efficient motor.
- Reduced sound power level, starting at 27 dB(A) (Lp at 3 m)
- Easy to install and maintain thanks to the removable motor unit.

COMPLIANCE

- CE electrical safety.
- ERP 2015 327/2011/EC.
- GS electrical safety.
- WEEE recycling compliant.

RANGE

Designation	Reference
IN LINE XPro 100	11022340
IN LINE XPro 125	11022341
IN LINE XPro 150	11022342
IN LINE XPro 160	11022343
IN LINE XPro 200	11022344
IN LINE XPro 250	11022345
IN LINE XPro 315	11022346

PRINCIPLE OF OPERATION

- Single or dual-speed connection.
- Controlled via an inverter or a voltage regulator.

DESCRIPTION

- Duct fan.
- Material: Low-inflammability PP
- Single-phase 2-speed, high performance motor.
- Optimised aeratic and acoustic performance: higher pressure with reduced power consumption.
- Removable motor unit.

FIELD OF APPLICATION

- Ventilation for one or multiple rooms.
- Used for air exhaust or air supply.
- Can be installed at any point in the ductwork.
- Housing (kitchen, sanitary areas, apartments, chalet) and commercial premises (offices, workshops, community hall, etc.).

INSTALLATION

- Connection to a duct upstream and downstream.
- Can be fitted in any position.
- Fastened to a wall using the mounting plate.
- Can be fitted in series for greater pressure or in parallel for higher airflow.
- Air inlet grilles or door undercuts are necessary to ensure the equipment operates correctly.

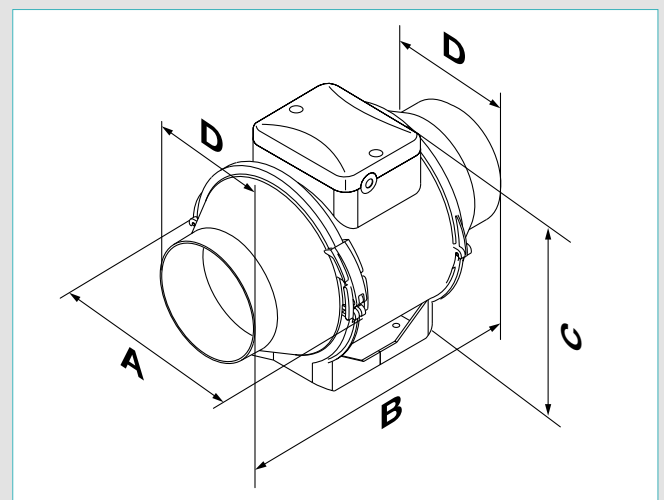
ACCESSORIES

The IN LINE XPro duct fans can operate with a 1-speed or 2-speed connection. The 2-speed connection is controlled via an inverter or a voltage regulator.

Designation	Reference
2-position inverter	11022030
1.5 A voltage regulator	11022358



DIMENSIONS (mm) - WEIGHT



Model	D	A	B	C	Weight (kg)
IN LINE XPro 100	100	195.8	302.5	226	1.75
IN LINE XPro 125	125	195.6	258.5	226	2.15
IN LINE XPro 150	150	220.1	289	247	2.3
IN LINE XPro 160	160	220.1	289	247	3.25
IN LINE XPro 200	200	239	295.5	261	3.95
IN LINE XPro 250	250	287	383	323	7.8
IN LINE XPro 315	315	362	445	408	11.95

TECHNICAL DETAILS

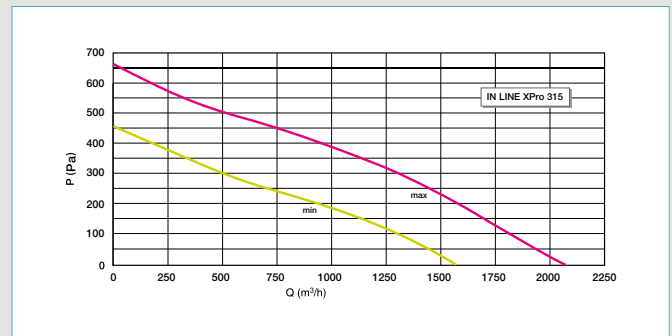
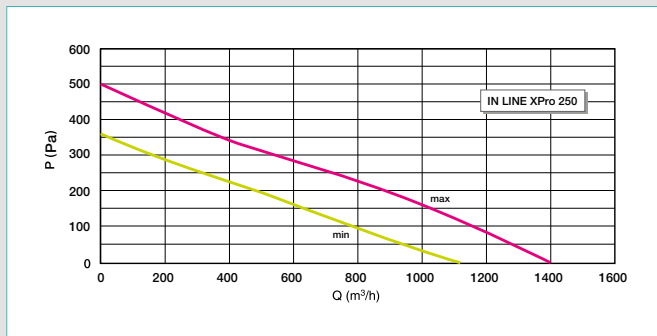
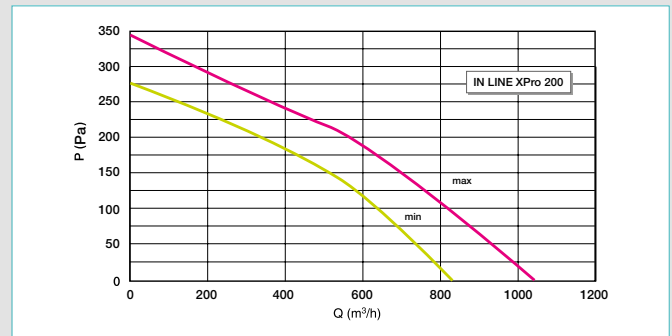
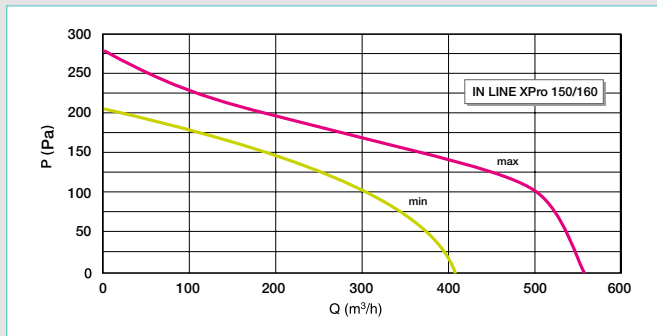
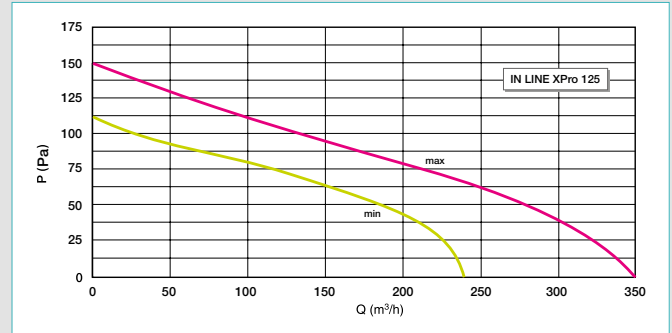
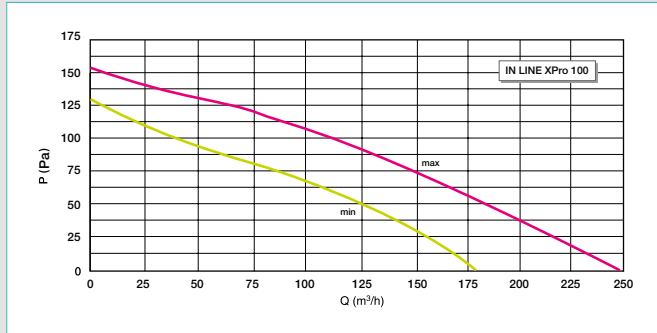
- Power Supply: 220/240 V - 50/60 Hz.
- Device protection rating: IPX4.
- Built-in thermal protection.
- Motor mounted on ball bearings.
- Long service life: 40,000 hours.

Model	Airflow (m ³ /h)		Power consumption (W)		RPM		Lp at 3 m (dB(A))		Lw (dB(A))
	min	max	min	max	min	max	min	max	
IN LINE XPro 100	180	245	23	25	2050	2620	27	32	37
IN LINE XPro 125	240	350	25	30	1630	2300	29	34	39
IN LINE XPro 150	415	565	42	50	1940	2620	37	46	45
IN LINE XPro 160	415	565	42	50	1940	2620	37	46	45
IN LINE XPro 200	830	1040	76	108	1915	2380	45	52	62
IN LINE XPro 250	1110	1400	125	177	1955	2440	47	55	68
IN LINE XPro 315	1570	2050	230	320	1890	2430	49	58	72

Exhaust ventilation for single-family dwelling

IN LINE XPro

AIRFLOW DETAILS



Exhaust ventilation for single-family dwelling

IN LINE XSilent



PRODUCT ADVANTAGES

- Very quiet: low radiated noise.
- Reduced sound power level, starting at 23 dB(A) (Lp at 3 m).
- Steel casing.

COMPLIANCE

- CE electrical safety.
- ERP 2015 327/2011/EC.
- GS electrical safety.
- WEEE recycling compliant.

RANGE

Designation	Reference
IN LINE XSilent 100	11022350
IN LINE XSilent 125	11022351
IN LINE XSilent 150	11022352
IN LINE XSilent 160	11022353
IN LINE XSilent 200	11022354
IN LINE XSilent 250	11022355
IN LINE XSilent 315	11022356

PRINCIPLE OF OPERATION

- Single or dual-speed connection.
- Controlled via an inverter or a voltage regulator.

DESCRIPTION

- Duct fan.
- Painted steel external casing, ABS internal casing and impeller.
- Thermal and acoustic insulation featuring 50 mm of rock wool.
- Single-phase 2-speed, high performance motor.

FIELD OF APPLICATION

- Ventilation for one or multiple rooms.
- Used for air exhaust or air supply.
- Can be installed at any point in the ductwork.
- Housing (apartment, villa, etc.) and commercial premises (hotel, library, etc.).

INSTALLATION

- Connection to a duct upstream and downstream.
- Can be fitted in any position.
- Fastened to a wall using the mounting plate.
- Can be fitted in series for greater pressure or in parallel for higher airflow.
- Air inlet grilles or door undercuts are necessary to ensure the equipment operates correctly.

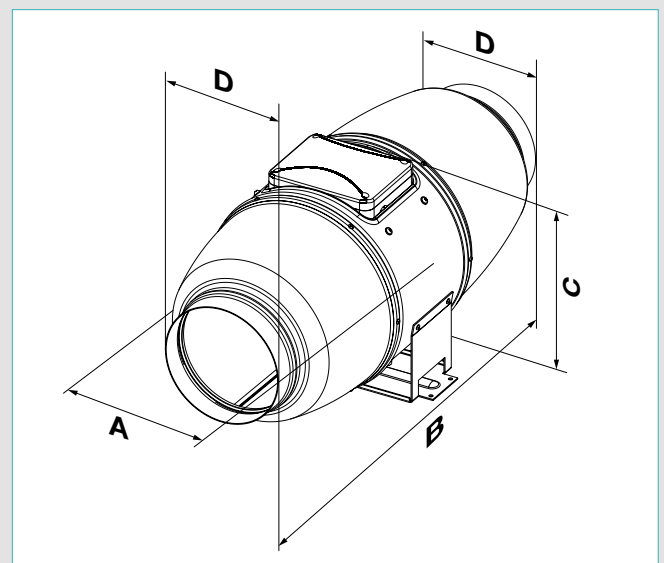
ACCESSORIES

The IN LINE XSilent duct fans can operate with a 1-speed or 2-speed connection. The 2-speed connection is controlled via an inverter or a voltage regulator.

Designation	Reference
2-position inverter	11022030
1.5 A voltage regulator	11022358



DIMENSIONS (mm) - WEIGHT



Model	D	A	B	C	Weight (kg)
IN LINE XSilent 100	100	215	505	237	4.6
IN LINE XSilent 125	125	215	474	237	4.6
IN LINE XSilent 150	150	247	580	260	6.1
IN LINE XSilent 160	160	247	580	260	6.1
IN LINE XSilent 200	200	293	550	295	8
IN LINE XSilent 250	250	358	658	360	15
IN LINE XSilent 315	315	432	780	434	25

TECHNICAL DETAILS

- Power Supply: 220/240 V - 50/60 Hz.
- Device protection rating: IPX4.
- Built-in thermal protection.
- Motor mounted on ball bearings.
- Long service life: 40,000 hours.

Model	Airflow (m ³ /h)		Power consumption (W)		RPM		Lp at 3 m (dB(A))		Lw (dB(A))
	min	max	min	max	min	max	min	max	
IN LINE XSilent 100	170	240	24	26	2030	2630	24	29	34
IN LINE XSilent 125	230	340	25	30	1650	2310	23	28	35
IN LINE XSilent 150	405	555	45	52	1970	2645	26	33	39
IN LINE XSilent 160	405	555	45	52	1970	2645	26	33	39
IN LINE XSilent 200	810	1020	78	110	2015	2445	31	36	45
IN LINE XSilent 250	1050	1330	127	178	1965	2495	34	38	55
IN LINE XSilent 315	1530	1950	213	313	1975	2545	36	40	58

Exhaust ventilation for single-family dwelling

IN LINE XSilent

AIRFLOW DETAILS

