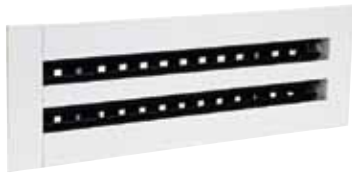


Slot Diffusers

Adjustable aluminium slot diffusers



AG 280 BDE - Extruded aluminium

Advantages

- Adjustable diffusion.
- Aesthetic design.
- Possible exhaust filtration.
- Integrated damper.

APPLICATION

- Supply or exhaust systems.
- Adjustable diffusion using two directional deflectors on each slot.
- Heating installations ($\Delta T_{\max} = + 30^{\circ} \text{C}$) and air-conditioning ($\Delta T_{\max} = - 16^{\circ} \text{C}$) installations.
- Ceiling mounted.

DESCRIPTION

- AG 200 series: available in slots of 20 mm, 25 mm and 12.5 mm, from 1 to 8 slots.
- For continuous length assembly, the maximum length per section will be 3000 mm complete with alignment strips.
- Two air pattern deflectors per slot provide an adjustable air pattern of 180° fully. The hit-and-miss damper does not affect the air pattern and can be used as an equalizing grid.

ACCESSORIES

- Connector plenum and lever in simple galvanised steel (P/S3) or insulated on two sides (PI/S3).

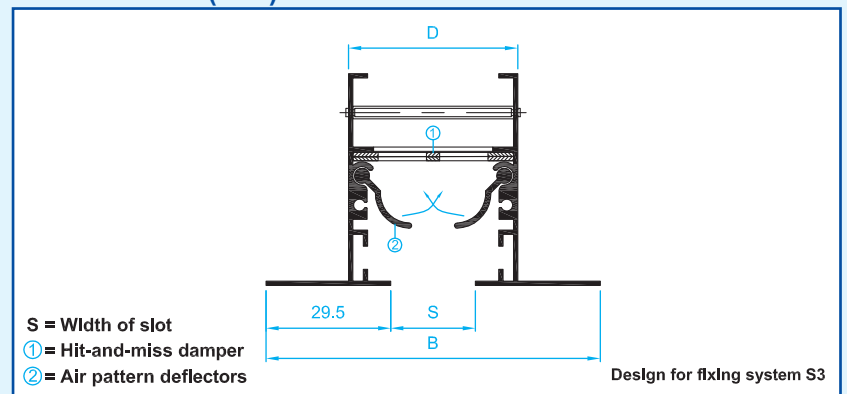
RANGE

Description	Code
AG 270 - No of slots 1 to 8	
AG 280 - No of slots 1 to 8	
AG 290 - No of slots 1 to 8	

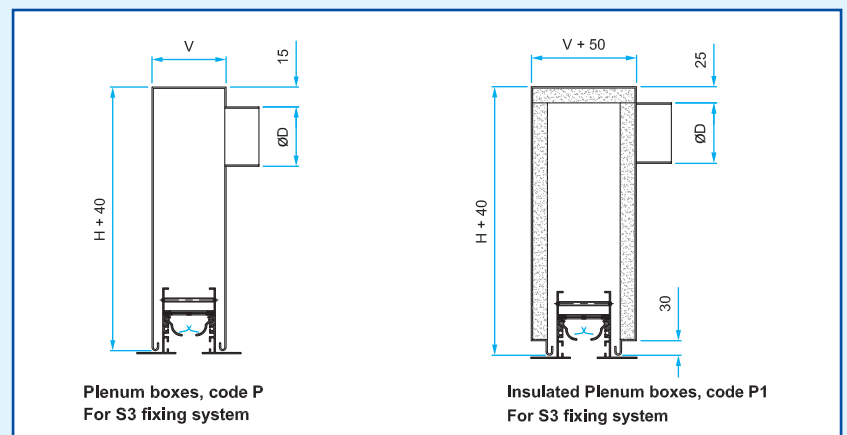
ADDITIONAL RANGE

- Paint finish in accordance with the RAL colour chart (please, consult us).
- Version with between 5 and 8 slots (please, consult us).
- For the linear strips version (please, consult us).
- Corner pieces (please, consult us).
- For the expansion and insulated connection on 5 faces (please, consult us).
- Version without deflector or damper (please, consult us).

DIMENSIONS (mm)



AG 270 S = 12.5 mm			AG 280 S = 20 mm			AG 290 S = 25 mm		
No. of Slots	B	D	No. of Slots	B	D	No. of Slots	B	D
1	69	33	1	77	40	1	82	45
2	100	63	2	115	78	2	125	88
3	131	94	3	154	117	3	169	132
4	162	125	4	192	155	4	212	175
5	193	156	5	231	193	5	256	218
6	224	187	6	269	232	6	299	262
7	255	218	7	308	270	7	343	305
8	286	249	8	346	309	8	386	349



AG 270 S = 12.5 mm				AG 280 S = 20 mm				AG 290 S = 25 mm			
No. of Slots	H	Ø D	V	No. of Slots	H	Ø D	V	No. of Slots	H	Ø D	V
1	250	123	53	1	250	123	60	1	250	158	65
2	250	158	83	2	250	158	98	2	250	198	108
3	300	198	117	3	300	198	137	3	300	198	152
4	300	198	145	4	300	248	175	4	300	248	219
5	300	198	176	5	300	248	213	5	300	248	238
6	300	248	207	6	300	248	252	6	365	313	282
7	300	248	238	7	365	313	290	7	365	313	325
8	300	248	268	8	365	313	328	8	365	313	368

• See selection table on page 244 - 245.